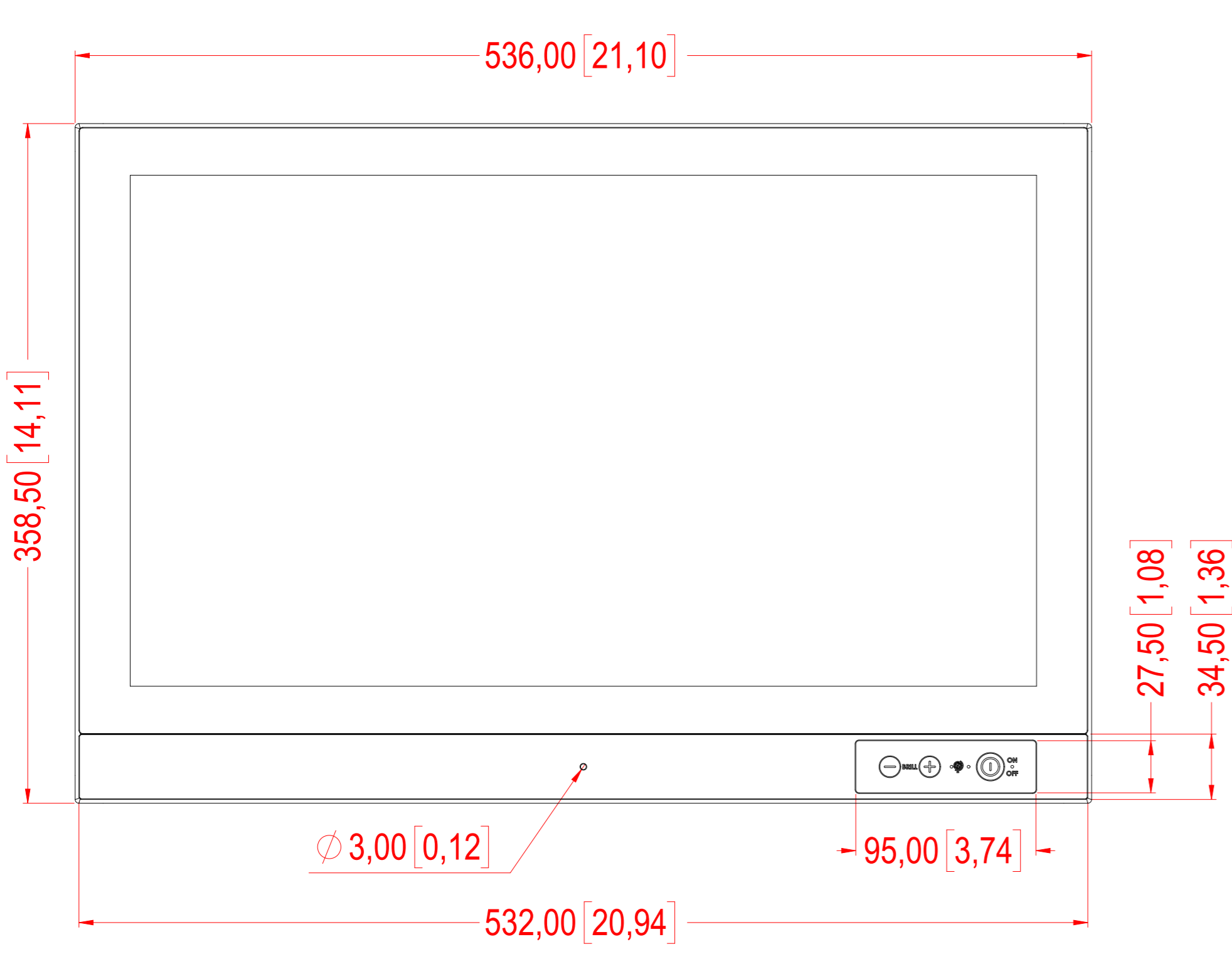
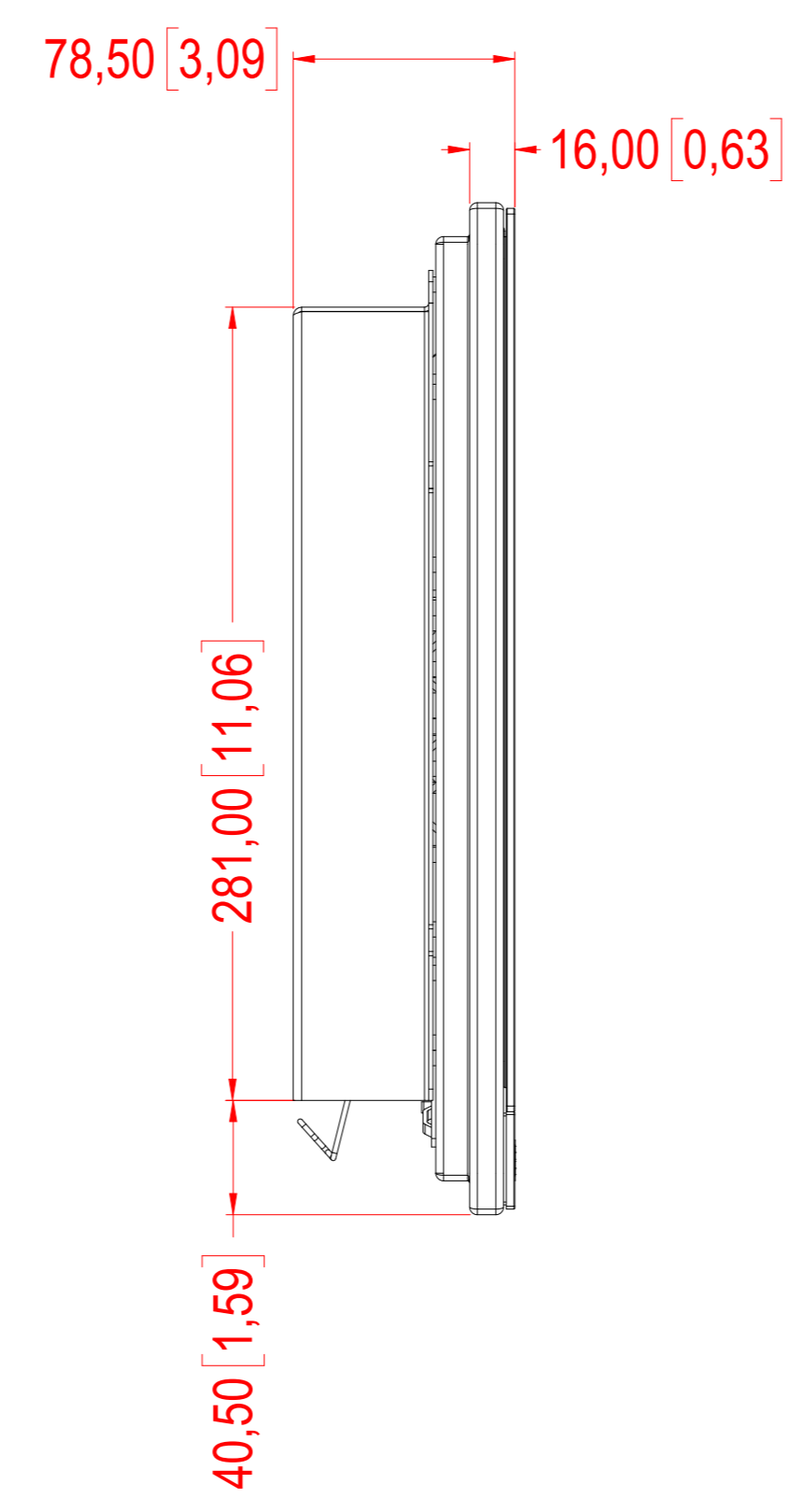


This document is the property of Hatteland Display AS.
 This document and any authorized reproduction thereof, must not be used in any way against the interest of Hatteland Display AS.
 Any authorized reproduction, in whole or in part, must include this legend.

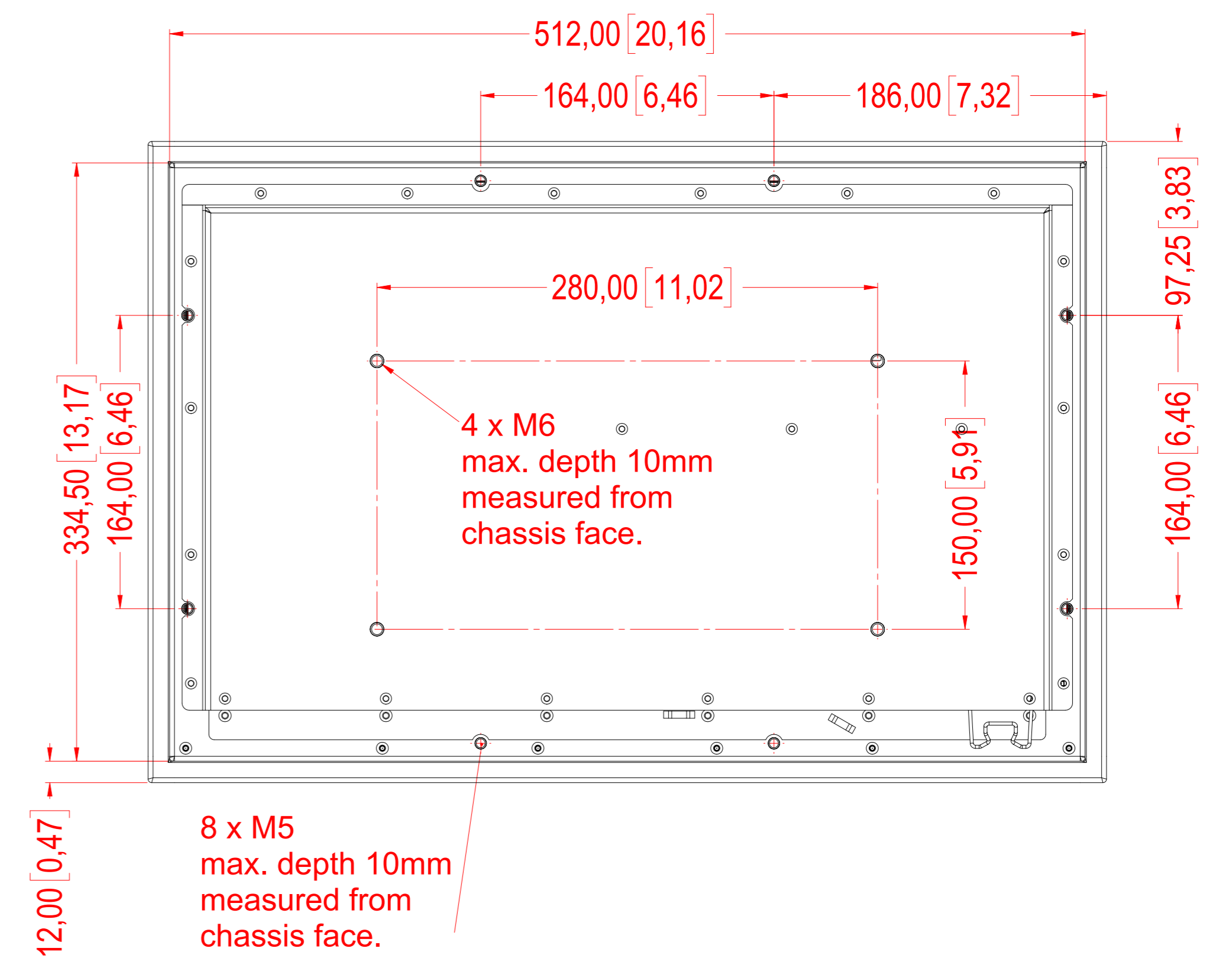
FRONT VIEW



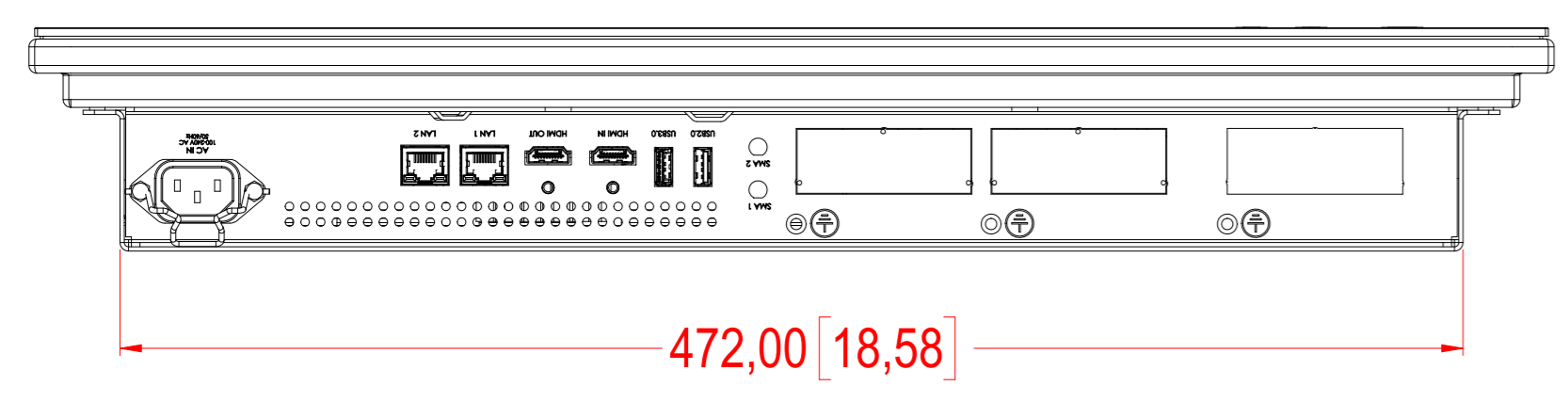
SIDE VIEW



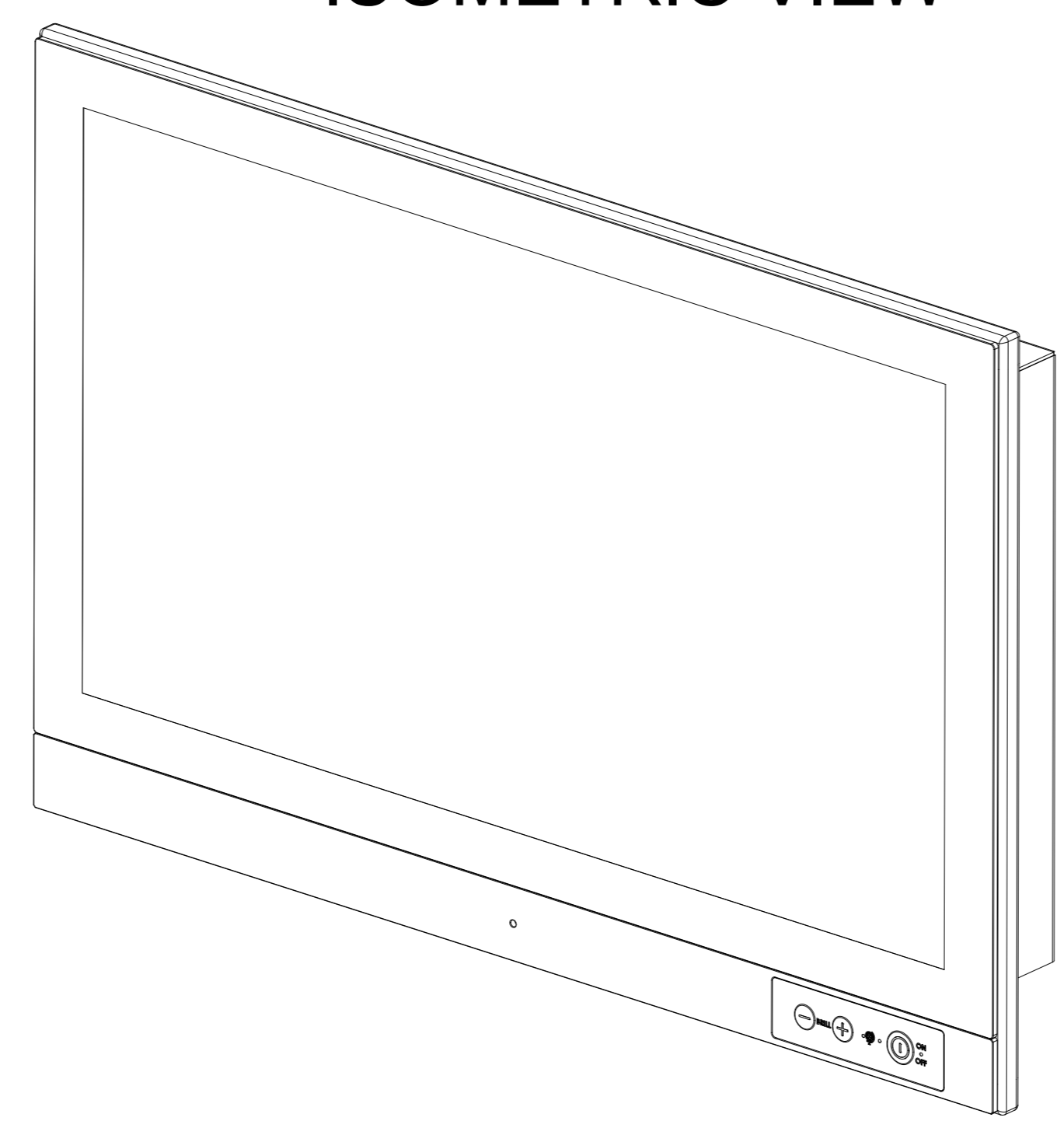
BACK VIEW



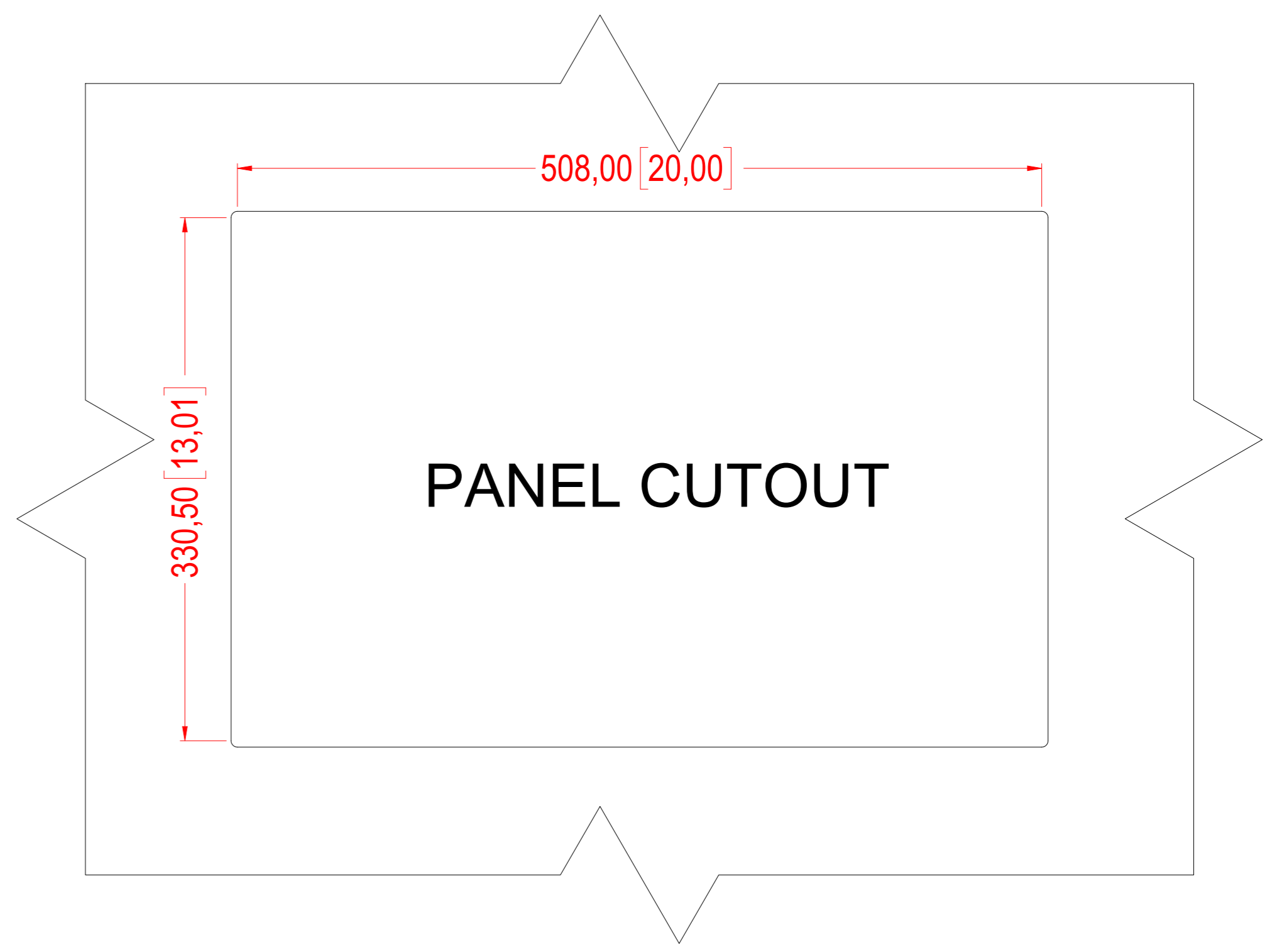
BOTTOM VIEW



ISOMETRIC VIEW



TOP VIEW



Units: mm [inches]

SALES DRAWING HD 21T30 MPA-A0A-0NPJNI
 shown in this drawing, but measurements generally apply for all HD 21T30 MxA-xxx-xxxxxx models

Creation date / by:	23.09.20 / 8755	Projection:	A1	HATTELAND TECHNOLOGY an EMBRON Company
Last rev. date / by:	/		Scale: 1:2	
Hatteland Display AS Eikeskogvegen 52 N-5570 Akedal			Tolerance: ISO 2768-mK	Approved by: _____ Revision: 01 Drawing number: A012580